

Eagle Shear

鹰嘴剪

The High-strength support structure provides support during shearing large pieces.

高强度支撑结构,为剪切大型钢结构时提供有力支撑。

The efficiency of Independent research and development of large-flow acceleration valve is 1.2-1.5 times higher than traditional control devices.

自主研发大流量加速阀,同比传统控制效率提升1.2-1.5倍。

Adopting hydraulic 360-degree slewing mechanism, and imported large displacement motor, the system is stable and the service life is long.

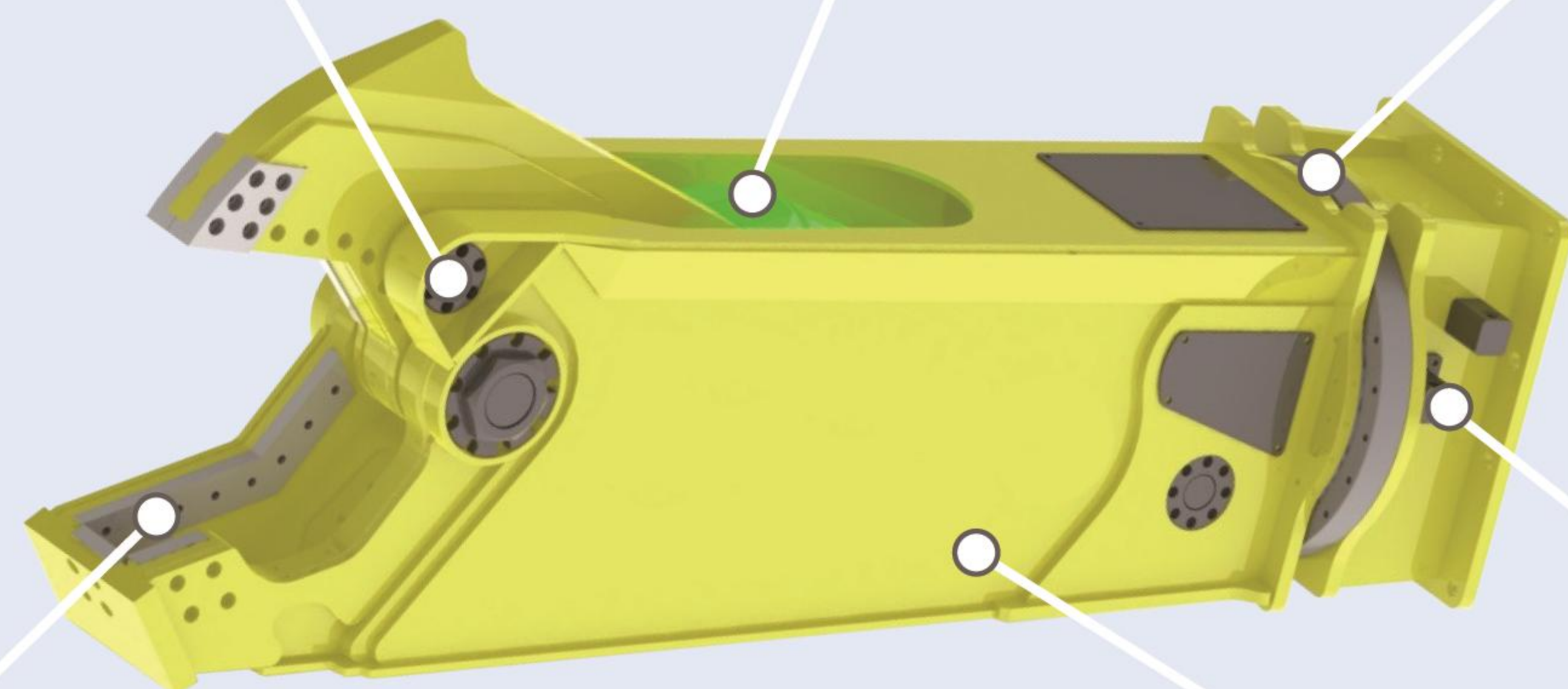
采用液压式360°无限制回转:进口大排量马达和高品质的回转机构,系统稳定,寿命长。

The external pipeline connection method is adopted, the pipeline installation is convenient, and it is not easy to wear.

采用外置式管路连接方式,管路安装方便,不易磨损。

The whole body is designed with box structure, it is of light weight and high resistance.

主体采用箱式结构设计,重量轻,整体强度高。



The blade is imported from Germany, the strength and wear resistance are greatly improved, and the service life is long.

采用德国进口材质对比国内产品材质强度和耐磨大幅度提升,使用寿命长。

Cutting Capacity 剪切能力

Type	Symbol	FCS08	FCS15	FCS20	FCS30
Round Steel	●	50 mm	50 mm	60 mm	70 mm
Pipe	○	244*9	244*9	265*9	380*9.5
Steel Plate	—	10 mm	10 mm	12 mm	16 mm
Square Steel	■	50 mm	50 mm	55 mm	65 mm
I Type Steel	⌒	28b	28b	36c	45c
H Type Steel	⌒	HM-244×175×7×11×13	HM-244×175×7×11×13	HM-340×250×9×14×13	HM-390×300×10×16×13

Specifications 技术参数

		FCS08	FCS15	FCS20	FCS30
Outline Dimension 外形尺寸	A	1480 mm	1990 mm	2276 mm	2552 mm
	B	317 mm	465 mm	560 mm	656 mm
	C	103 mm	112 mm	130 mm	142 mm
	D	425 mm	616 mm	662 mm	732 mm
Weight 重量		650 kg	1400 kg	2060 kg	2700 kg
Cutting Force (Max) 最大剪切力		2900 kN	3585 kN	4600 kN	6985 kN
Shearing Working Pressure 剪切工作压力		200-300 kg/cm ²	200-300 kg/cm ²	300-350 kg/cm ²	300-350 kg/cm ²
Shearing Working Flow 剪切工作流量		60-120 lpm	140-240 lpm	180-240 lpm	180-240 lpm
Rotary Working Pressure 旋转工作压力		60-90 kg/cm ²	60-90 kg/cm ²	140-160 kg/cm ²	140-160 kg/cm ²
Rotary Oil Flow 旋转工作流量		30-50 lpm	30-50 lpm	40-60 lpm	40-60 lpm
Shearing Oil Port 剪切部分油口		G1/2"	G1/2"	G1"	G1"
Rotary Oil Port 旋转部分油口		G3/8"	G3/8"	G3/8"	G3/8"
Suitable Carrier 适配挖机		6-10 ton	10-16 ton	17-24 ton	25-35 ton
Working Mode 工作模式		Motor driving, 360° free rotation 马达驱动, 360°任意角度自由旋转			

Outline Dimension 外形尺寸

