

Log Grapple

原木抓

The imported motor and high-quality rotation mechanism are used to improve the life time of the rotating device and the stability of the system. It can rotate in 360° degrees freely .

采用进口马达和高品质的回转机构,提高了回转装置的寿命和系统的稳定性,可360无限制自由回转.

Using imported HARDOX wear-resistant steel, it has the characteristics of light weight, high strength and strong wear resistance.

采用进口HARDOX耐磨钢材,具有质地轻,强度高,耐磨性强的特点。

A variety of gripping teeth with different functions can be applied to different grabbing working conditions.

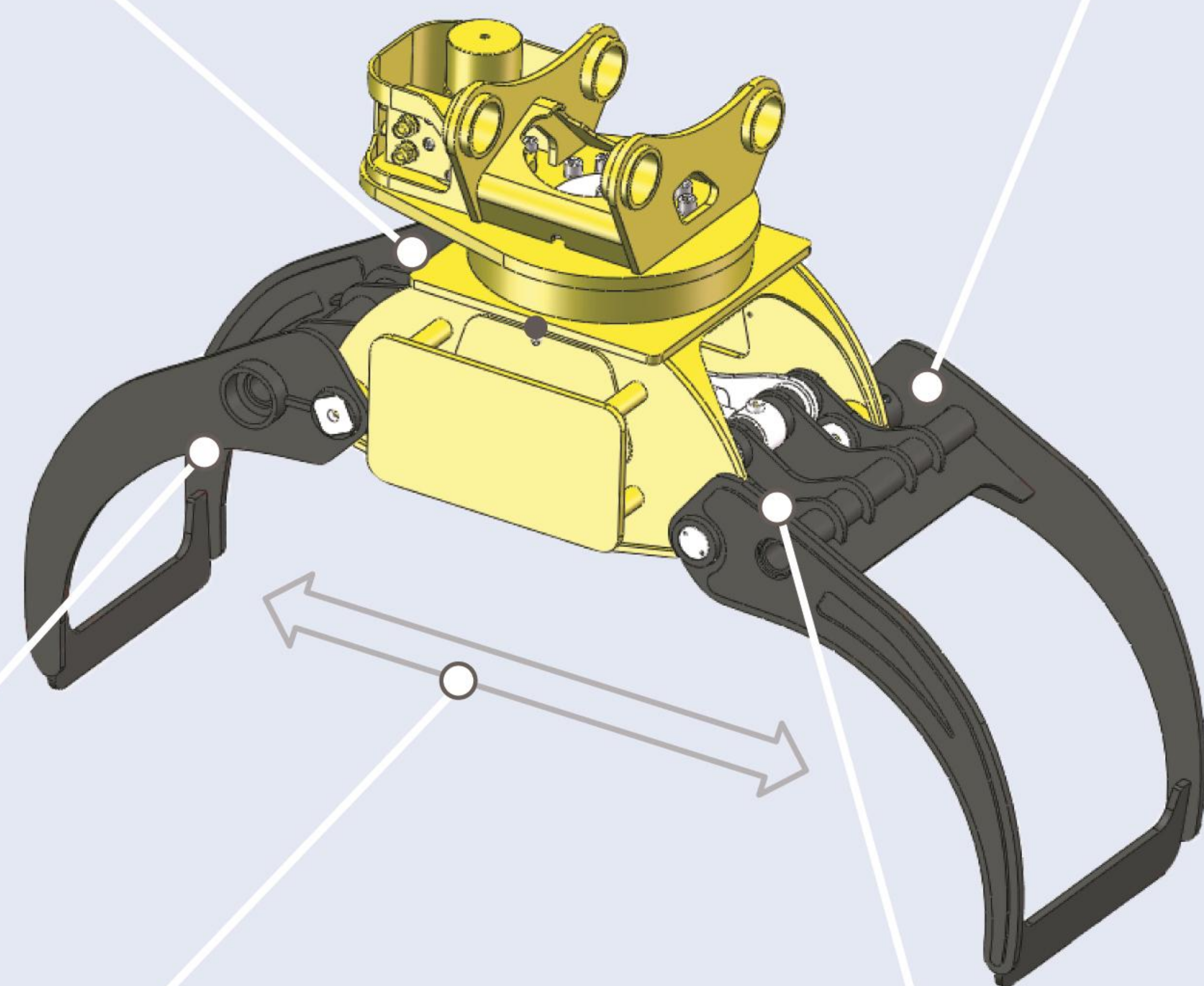
多种不同功能的抓齿,可适用于不同的抓取作业环境。

It has the characteristics of minimum weight but maximum grab opening width, compared to the same level equipment.

有同级别最小重量,最大抓斗开度特点。

To use a special large-capacity oil cylinder to enhance the grasping force, and to prevent the oil cylinder fails during the grabbing process, the safety valve of the oil cylinder is designed to increase the product safety.

使用特质大容量油缸,增强抓载力量;为防止抓载过程中油缸失效,采用油缸安全阀设计增加产品安全性。



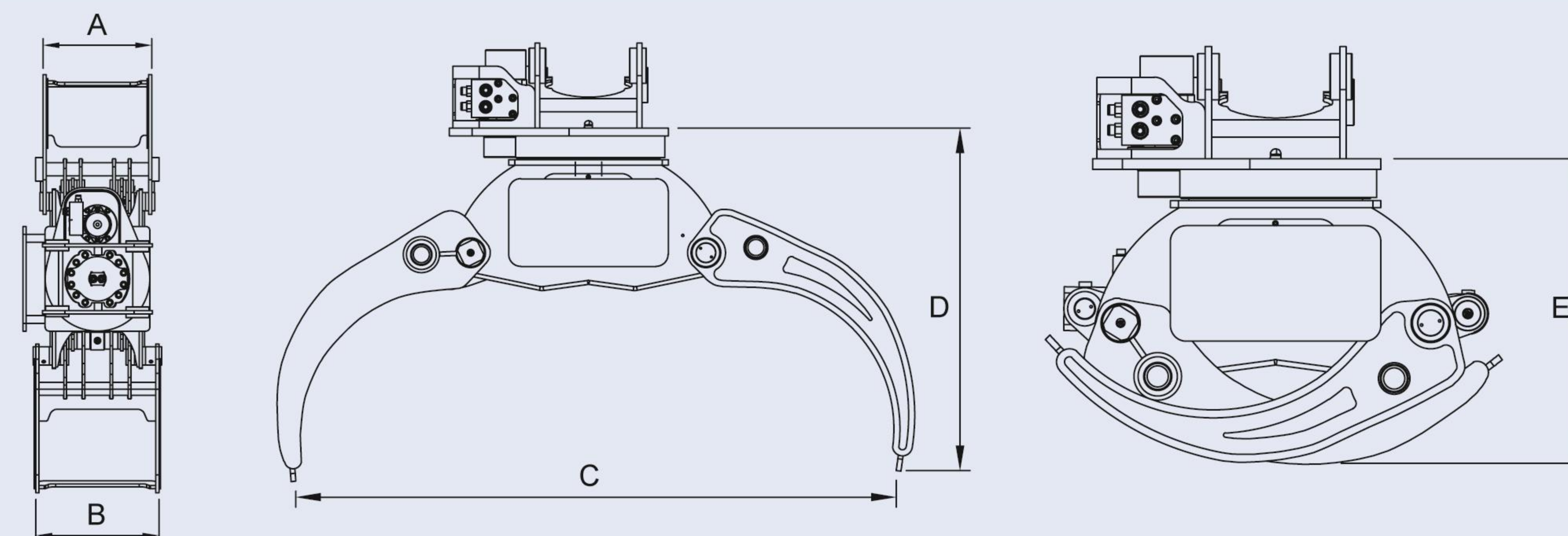
Specifications 技术参数

FGL03

FGL06

Outline Dimension 外形尺寸	A	415 mm	
	B	470 mm	
	C	1500 mm	
	D	1155 mm	
	E	580 mm	
Weight	重量	360 kg	730 kg
Operation Pressure (closed)	闭合工作压力	150-170 kg/cm ²	160-180 kg/cm ²
Operation Flow (closed)	闭合工作流量	90-110 L/min	100-140 L/min
Operation Pressure (rotating)	旋转工作压力	60-90 kg/cm ²	140-160 kg/cm ²
Operation Flow (rotating)	旋转工作流量	20-30 L/min	30-50 L/min
Grab Weight	抓取重量	1500 kg	2000 kg
Suitable Carrier	适配挖机	5-10 ton	12-16 ton

Outline Dimension 外形尺寸



The single-cylinder and double-claw linkage mechanism can accurately grab small items such as logs and sugarcane with high grasping efficiency.

单油缸双爪联动机构可准确抓载原木、甘蔗等小型物品,抓载效率高。

